



MVCMA



Medium pressure, single inlet centrifugal fans with cast aluminium casing and impeller



Fan:

- Cast aluminium casing
- Cast aluminium impeller
- Models 324, 325 and 426 with polyamide impellers, model 531-2T-3 with sheet steel impeller

Finish:

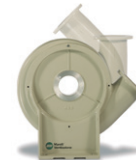
- Anti-corrosive finish of polyester resin polymerised at 190°C, previously degreased with phosphate-free nanotechnological treatment

Motor:

- IE3 efficiency motors for powers equal to or greater than 0.75 kW except single-phase, 2-speed and 8-pole
- Class F motors with ball bearings and IP55 protection except single-phase models, with IP54 protection
- Single-phase 230 V-50 Hz and three-phase 230/400 V-50 Hz
- Maximum temperature of air to be carried: -20°C to +120°C, maximum +70°C models with polyamide impeller

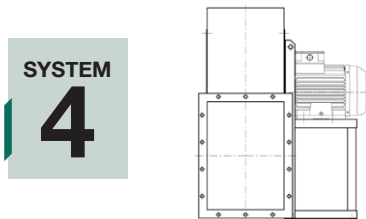
On request:

- Special windings for different voltages
- Cast aluminium impellers for models 324, 325 and 426
- Fan prepared for air transmission of up to 250°C
- Category 2 ATEX certification (see MVCMA/ATEX series)

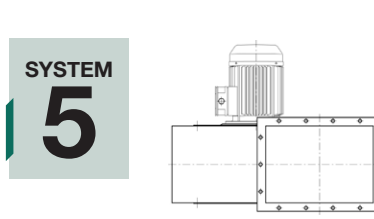


Different impulsion position options

Direct drive motor construction method



Direct drive, impeller mounted on the motor shaft, mounted on the pedestal.



Direct drive, impeller mounted on the motor shaft, flange motor mounted on the fan casing.

Technical characteristics

| Model | Speed (r/min) | Maximum admissible current (A) | | Installed power (kW) | Maximum flow rate m³/h | Sound pressure level dB(A) | Approx. weight (kg) | According ErP |
|----------------------|------------------|--------------------------------|-------|-------------------------|---------------------------|-------------------------------|------------------------|---------------|
| | | 230 V | 400 V | | | | | |
| MVCMA-218-2T | 2670 | 0.64 | 0.37 | 0.09 | 265 | 63 | 6 | Excluded |
| MVCMA-218-2M | 2760 | 0.79 | | 0.09 | 265 | 63 | 6 | Excluded |
| MVCMA-324-2T | 2750 | 1.21 | 0.70 | 0.18 | 440 | 70 | 9 | 2015 |
| MVCMA-324-2M | 2780 | 1.42 | | 0.18 | 440 | 70 | 9 | 2015 |
| MVCMA-325-2T | 2710 | 1.29 | 0.75 | 0.25 | 600 | 73 | 11 | 2015 |
| MVCMA-325-2M | 2780 | 1.84 | | 0.25 | 600 | 73 | 11 | 2015 |
| MVCMA-426-2T | 2710 | 1.92 | 1.11 | 0.37 | 850 | 75 | 13 | 2015 |
| MVCMA-426-2M | 2780 | 2.53 | | 0.37 | 850 | 75 | 13 | 2015 |
| MVCMA-527-2T | 2760 | 2.57 | 1.49 | 0.55 | 1000 | 80 | 15 | 2015 |
| MVCMA-527-2M | 2810 | 3.49 | | 0.55 | 1000 | 80 | 15 | 2015 |
| MVCMA-528-2T-1 IE3 | 2825 | 2.80 | 1.62 | 0.75 | 1250 | 82 | 29 | 2015 |
| MVCMA-528-2M-1 | 2810 | 4.50 | | 0.75 | 1250 | 82 | 24 | 2015 |
| MVCMA-528-2T-1.5 IE3 | 2830 | 4.03 | 2.34 | 1.10 | 1750 | 83 | 27 | 2015 |
| MVCMA-528-2M-1.5 | 2820 | 6.51 | | 1.10 | 1750 | 83 | 26 | 2015 |
| MVCMA-531-2T-1.5 IE3 | 2830 | 4.03 | 2.34 | 1.10 | 1790 | 84 | 30 | 2015 |
| MVCMA-531-2M-1.5 | 2820 | 6.51 | | 1.10 | 1790 | 84 | 29 | 2015 |
| MVCMA-531-2T-2 IE3 | 2875 | 5.34 | 3.07 | 1.50 | 2000 | 85 | 35 | 2015 |
| MVCMA-531-2M-2 | 2810 | 8.50 | | 1.50 | 2000 | 85 | 31 | 2015 |
| MVCMA-531-2T-3 IE3 | 2910 | 7.32 | 4.21 | 2.20 | 2400 | 86 | 35 | 2015 |
| MVCMA-540-2T IE3 | 2875 | 5.34 | 3.07 | 1.50 | 2600 | 85 | 42 | 2015 |
| MVCMA-545-2T-3 IE3 | 2910 | 7.32 | 4.21 | 2.20 | 2630 | 86 | 59 | 2015 |
| MVCMA-545-2T-4 IE3 | 2910 | 10.00 | 5.77 | 3.00 | 3550 | 88 | 68 | 2015 |



Erp. (Energy Related Products)

Information on Directive 2009/125/EC: please consult with our technical department.

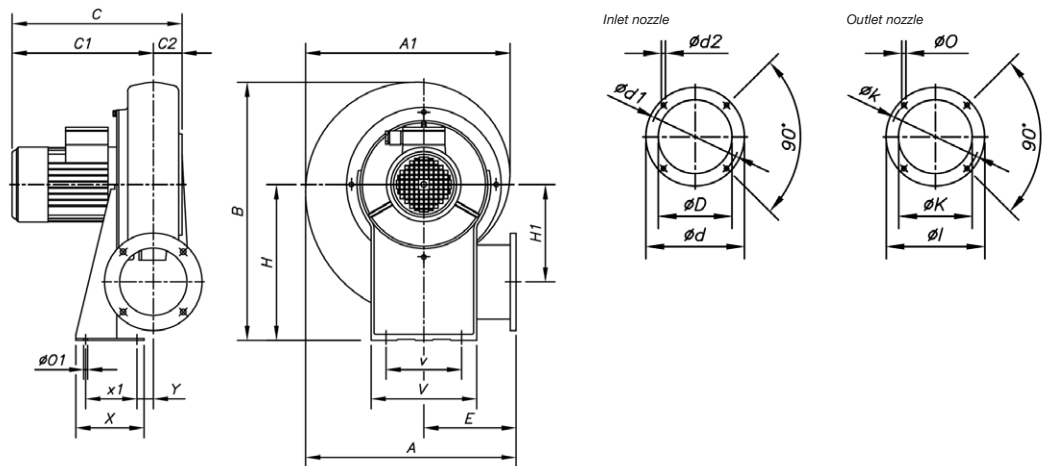
Acoustic characteristics

Sound power level Lw(A) in dB(A) per frequency band in Hz

| Model | 63 | 125 | 250 | 500 | 1000 | 2000 | 4000 | 8000 | Model | 63 | 125 | 250 | 500 | 1000 | 2000 | 4000 | 8000 |
|---------|----|-----|-----|-----|------|------|------|------|---------|----|-----|-----|-----|------|------|------|------|
| 218 | 29 | 43 | 61 | 67 | 71 | 68 | 63 | 54 | 531-1,5 | 50 | 64 | 82 | 88 | 92 | 89 | 84 | 75 |
| 324 | 36 | 50 | 68 | 74 | 78 | 75 | 70 | 61 | 531-2 | 51 | 65 | 83 | 89 | 93 | 90 | 85 | 76 |
| 325 | 39 | 53 | 71 | 77 | 81 | 78 | 73 | 64 | 531-3 | 52 | 66 | 84 | 90 | 94 | 91 | 86 | 77 |
| 426 | 41 | 55 | 73 | 79 | 83 | 80 | 75 | 66 | 540 | 54 | 67 | 85 | 91 | 96 | 92 | 87 | 79 |
| 527 | 46 | 60 | 78 | 84 | 88 | 85 | 80 | 71 | 545-3 | 55 | 68 | 86 | 92 | 97 | 93 | 88 | 80 |
| 528-1 | 48 | 62 | 80 | 86 | 90 | 87 | 82 | 73 | 545-4 | 57 | 70 | 88 | 94 | 99 | 95 | 90 | 82 |
| 528-1,5 | 49 | 63 | 81 | 87 | 91 | 88 | 83 | 74 | | | | | | | | | |

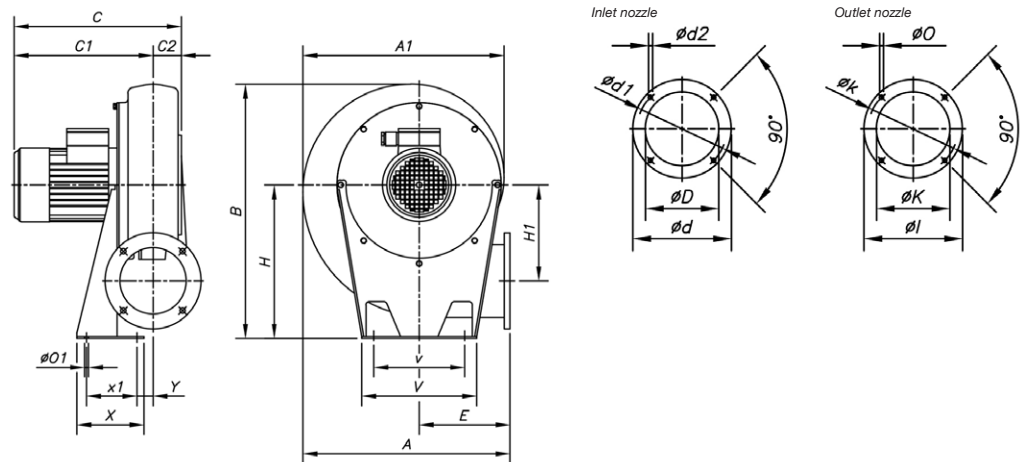
Dimensions mm

MVCMA-218...528



| | A | A1 | B | C | C1 | C2 | øD | ød | ød1 | ød2 | E | H | H1 | øl | øk | øk | øO | øO1 | V | v | X | x1 | Y |
|-----------------|-----|-----|-----|-----|-----|----|-----|-----|-----|-----|-----|-----|-------|-----|-----|-----|-----|-----|-----|-----|-----|-----|----|
| MVCMA-218 | 241 | 236 | 288 | 239 | 207 | 32 | 80 | 113 | 95 | M5 | 110 | 170 | 114.5 | 90 | 54 | 76 | 5.5 | 7 | 140 | 100 | 80 | 50 | 20 |
| MVCMA-324 | 311 | 302 | 356 | 268 | 230 | 38 | 80 | 130 | 112 | M5 | 145 | 205 | 145 | 108 | 62 | 90 | 7 | 9 | 173 | 125 | 90 | 60 | 20 |
| MVCMA-325 | 335 | 328 | 399 | 271 | 231 | 40 | 94 | 140 | 122 | M6 | 155 | 235 | 152 | 120 | 80 | 102 | 7 | 9 | 180 | 145 | 110 | 80 | 20 |
| MVCMA-426 | 354 | 344 | 412 | 290 | 250 | 40 | 117 | 155 | 132 | M6 | 162 | 240 | 163 | 140 | 90 | 119 | 7 | 13 | 210 | 160 | 105 | 65 | 26 |
| MVCMA-527 | 371 | 361 | 440 | 297 | 255 | 42 | 125 | 170 | 147 | M6 | 168 | 260 | 170 | 155 | 100 | 129 | 7 | 13 | 220 | 170 | 120 | 80 | 20 |
| MVCMA-528...1 | 401 | 395 | 488 | 340 | 289 | 51 | 116 | 190 | 162 | M6 | 178 | 290 | 177 | 190 | 130 | 160 | 11 | 13 | 230 | 180 | 140 | 100 | 20 |
| MVCMA-528...1'5 | 401 | 395 | 488 | 337 | 289 | 48 | 135 | 190 | 162 | M6 | 178 | 290 | 177 | 190 | 130 | 160 | 11 | 13 | 230 | 180 | 140 | 100 | 20 |

MVCMA-531

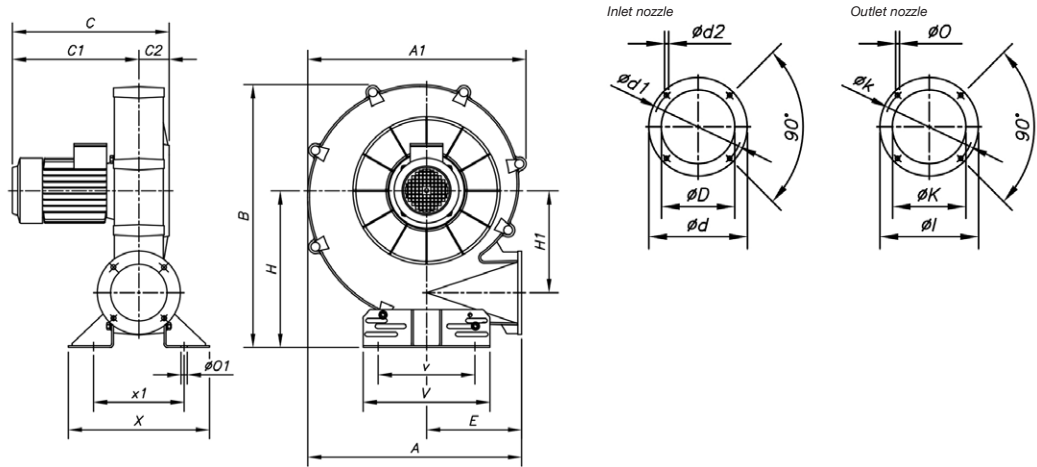


| | A | A1 | B | C | C1 | C2 | øD | ød | ød1 | ød2 | E | H | H1 | øl | øk | øk | øO | øO1 | V | v | X | x1 | Y |
|-----------------|-----|-----|-----|-----|-----|----|-----|-----|-----|-----|-----|-----|-----|-----|-----|-----|----|-----|-----|-----|-----|-----|----|
| MVCMA-531...1'5 | 440 | 434 | 537 | 340 | 290 | 50 | 160 | 215 | 180 | M6 | 193 | 320 | 200 | 200 | 140 | 175 | 11 | 13 | 226 | 190 | 160 | 120 | 21 |
| MVCMA-531...2 | 440 | 434 | 537 | 401 | 351 | 50 | 160 | 215 | 180 | M6 | 193 | 320 | 200 | 200 | 140 | 175 | 11 | 13 | 226 | 190 | 160 | 120 | 21 |
| MVCMA-531...3 | 440 | 434 | 537 | 401 | 351 | 50 | 160 | 215 | 180 | M6 | 193 | 320 | 200 | 200 | 140 | 175 | 11 | 13 | 226 | 190 | 160 | 120 | 21 |



Dimensions mm

MVCMA-540...545



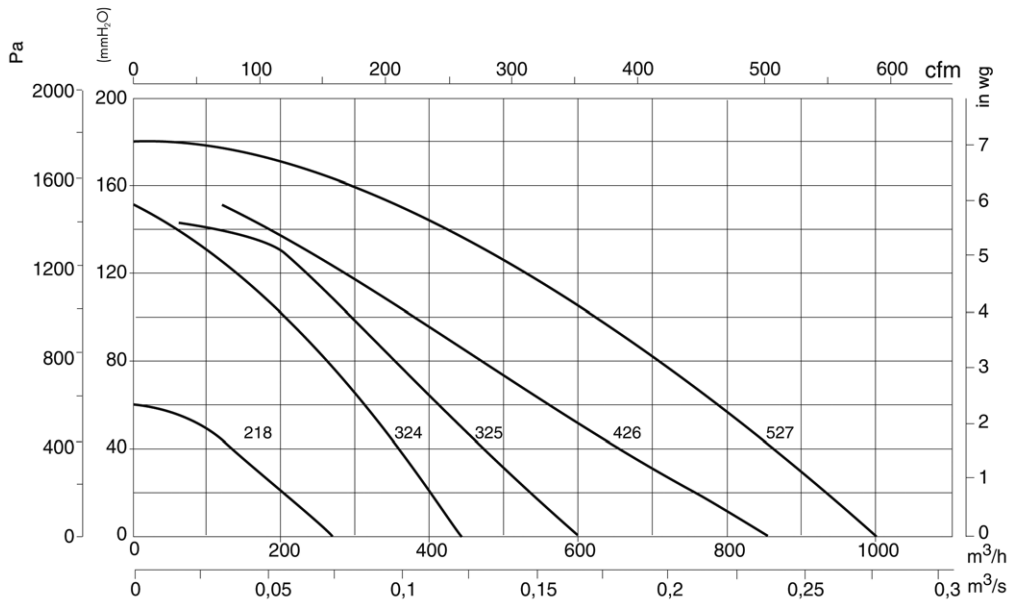
| | A | A1 | B | C | C1 | C2 | øD | ød | ød1 | ød2 | E | H | H1 | øl | øK | øk | øO | øO1 | V | v | X | x1 |
|---------------|-----|-----|-----|-----|-----|-----|-----|-----|-----|-----|-----|-----|-----|-----|-----|-----|----|-----|-----|-----|-----|-----|
| MVCMA-540 | 567 | 580 | 695 | 403 | 323 | 80 | 170 | 240 | 205 | M10 | 252 | 415 | 270 | 220 | 150 | 190 | 13 | 11 | 336 | 218 | 374 | 240 |
| MVCMA-545...3 | 651 | 646 | 776 | 449 | 334 | 115 | 180 | 255 | 220 | M10 | 290 | 450 | 309 | 250 | 175 | 220 | 13 | 13 | 336 | 238 | 392 | 292 |
| MVCMA-545...4 | 651 | 646 | 776 | 468 | 353 | 115 | 180 | 255 | 220 | M10 | 290 | 450 | 309 | 250 | 175 | 220 | 13 | 13 | 336 | 238 | 392 | 292 |

Characteristic curves

Q = Flow rate in m³/h, m³/s and cfm.

Pe = Static pressure in mm H₂O, Pa and inwg.

MVCMA 218...527

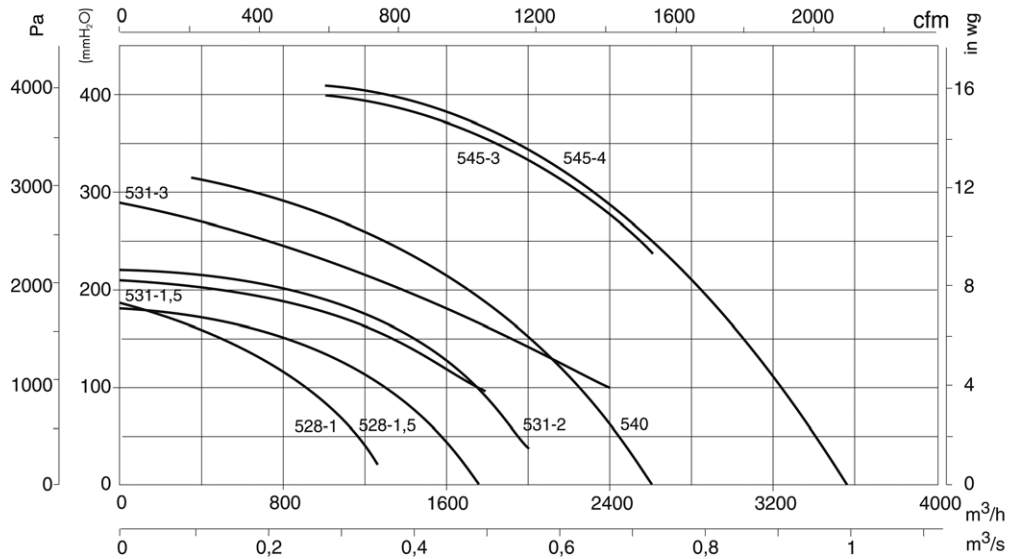


Characteristic curves

Q = Flow rate in m³/h, m³/s and cfm.

Pe = Static pressure in mm H₂O, Pa and inwg.

MVCMA 528...545

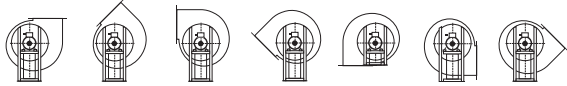


Orientations

Standard supply LG 270

LG 180 position on request and with special anchoring measurements

LG 0 **LG45** **LG90** **LG135** **LG180** **LG270** **LG315**



Accessories

See accessories section.

