

ECB/M

Centrifugal fans especially designed for extracting hot air at a max. temperature of 80°C and water vapour from extract hoods with a vertical air outlet
Especially designed for bread and pastry ovens as well as industrial ovens



- Fan:**
- Sheet steel casing
 - Galvanised sheet steel multiblade impeller
 - Motor directly coupled to flange B-5

- On request:**
- Special windings for different voltages
 - Stainless steel fan

- Motor:**
- IE3 efficiency motors for powers equal to or higher than 0.75 kW except single-phase, 2-speed and 8-pole
 - IP55 protection
 - Three-phase 230/400 V 50 Hz (up to 4 kW) and 400/690 V 50 Hz (powers higher than 4 kW)
 - Maximum temperature of air to be carried: -25°C +80°C



On request: stainless steel fan

- Finish:**
- Corrosion resistant with heat resistant paint, aluminium in colour

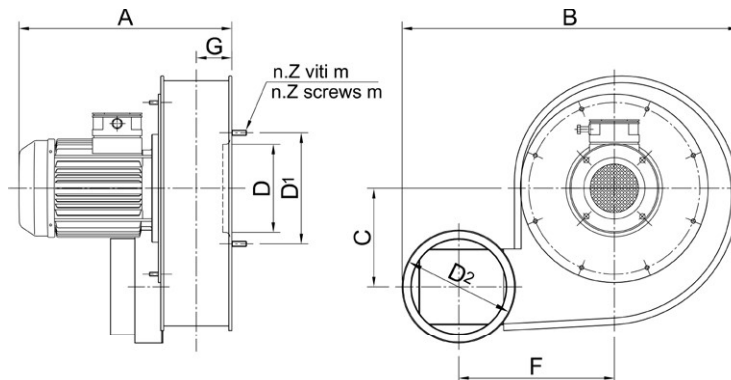
Characteristics

MOD.	FRAME	kW	RPM	dB(A)	CAPACITY (m³/s)													
					0.017	0.03	0.06	0.07	0.08	0.1	0.12	0.13	0.16	0.17	0.18	0.2	0.23	
					TOTAL PRESSURE (mmH ₂ O)													
ECB 160 M	71A2	0.37	2800	60						35	36	37	38	39	40	40	37	35
ECB 160 M	71A4	0.25	1350	49	9	9	10	10	9	8	7							
ECB 230 M	71A4	0.25	1350	58					28	29	29	30	31	30	29	28	27	
ECB 230 M	71B6	0.25	890	49				14	15	15	15	16	15	15	14	13		

MOD.	FRAME	kW	RPM	dB(A)	CAPACITY (m³/s)													
					0.18	0.2	0.23	0.27	0.3	0.33	0.38	0.42	0.47	0.53	0.58	0.67		
					TOTAL PRESSURE (mmH ₂ O)													
ECB 250 M	71B4	0.37	1350	60			40	42	43	44	45	45	40	35				
ECB 300 M	71B4	0.37	1350	65					47	49	50	50	51	50	48	43		
ECB 300 M	71B6	0.25	890	49	20	20	22	23	24	24	23	22						

Flow level margin ±5%
 Noise level margin +3...5 dB

Dimensions mm

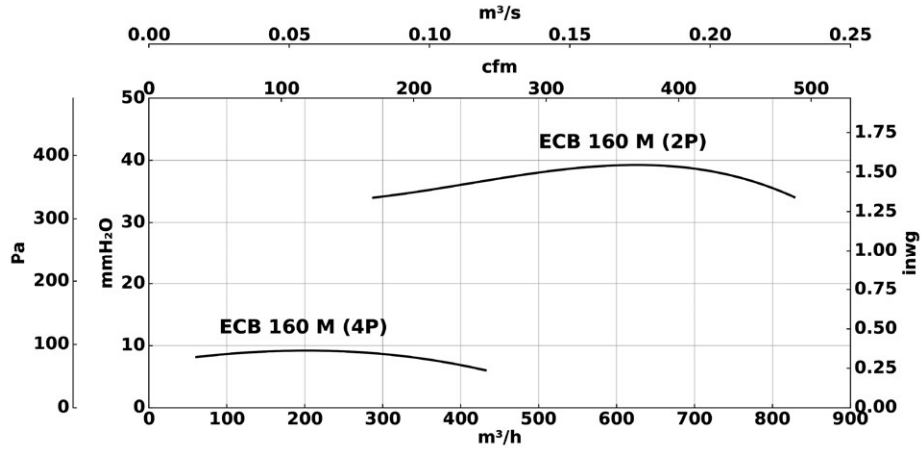


MOD.	FRAME	kW	RPM	A	B	C	F	G	D	D1	m	Z	D2	kg
ECB 160 M	71A2	0.37	2800	330	400	120	173	59	128	220	M5	6	137	10*
ECB 160 M	71A4	0.25	1350	330	400	120	173	59	128	220	M5	6	137	10*
ECB 230 M	71A4	0.25	1350	295	500	150	227	53	130	165	M8	6	160	15
ECB 250 M	71B4	0.37	1350	400	540	170	238	60	145	195	M8	6	176	18
ECB 300 M	71B4	0.37	1350	435	665	200	285	82	192	250	M8	6	250	20
ECB 300 M	71B6	0.25	890	435	665	200	285	82	192	250	M8	6	250	20

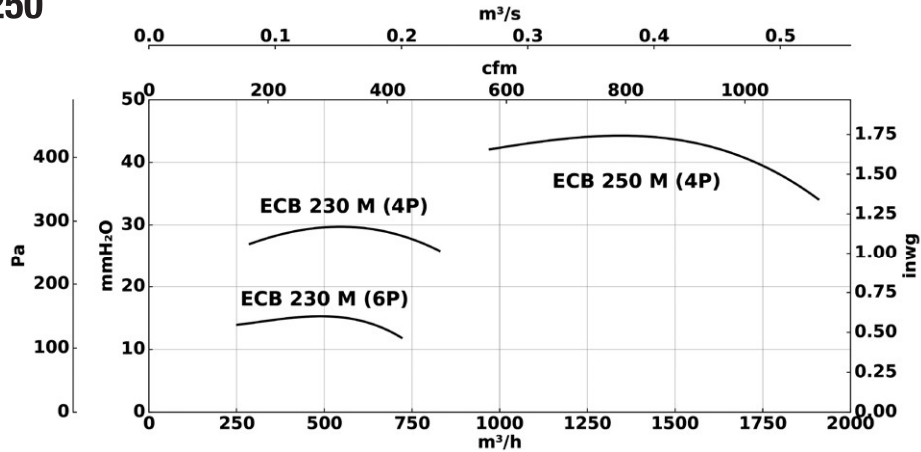


Characteristic curves

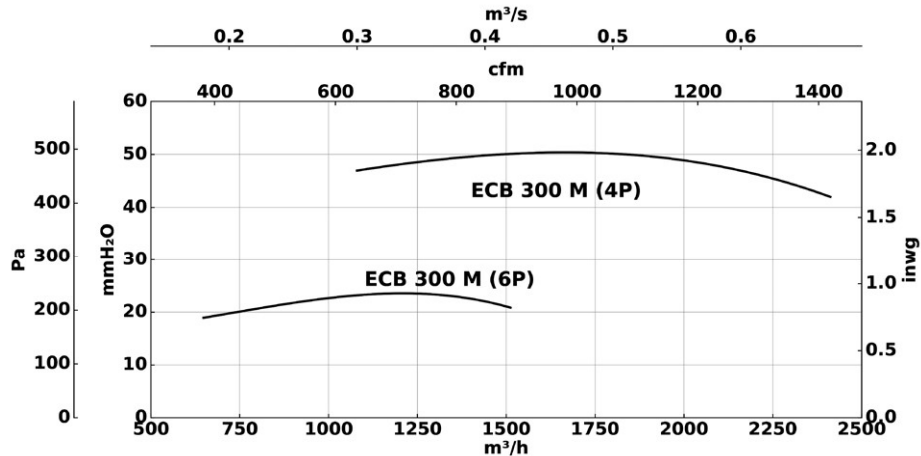
ECB/M 160



ECB/M 230...250



ECB/M 300



Total pressure

Flow level margin ±5%
 Noise level margin +3...5 dB
 Margin of kW absorbed ±3%