

ECB/Z

Centrifugal fans especially designed for extracting hot air at a max. temperature of 300°C from extract hoods with a vertical air outlet
Especially designed for bread and pastry ovens as well as industrial ovens



- Fan:
- Stainless sheet steel casing
 - Galvanised sheet steel multiblade impeller
 - Motor directly coupled to flange B-5
 - With one or two cooling impellers mounted on the motor shaft to dissipate the heat

- Maximum temperature of air to be carried: -25°C +300°C

- Finish:
- Corrosion resistant with heat resistant paint, aluminium in colour

- Motor:
- IE3 efficiency motors for powers equal to or higher than 0.75 kW except single-phase, 2-speed and 8-pole
 - IP55 protection
 - Three-phase 230/400 V 50 Hz (up to 4 kW) and 400/690 V 50 Hz (powers higher than 4 kW)

- On request:
- Special windings for different voltages
 - Stainless steel fan

Characteristics

MOD.	FRAME	kW	RPM	dB	CAPACITY (m ³ /s)														
					0.016	0.03	0.05	0.06	0.08	0.1	0.11	0.13	0.15	0.16	0.18	0.2	0.23	0.26	0.3
TOTAL PRESSURE (mmH ₂ O)																			
ECB 160 Z	71B/2	0.55	2810	75	64	62	60	60	61	62	64	66	67	67	68	68	68	67	63
ECB 160 Z	63B/4	0.18	1340	60	21	19	19	19	20	20	21	21	21	20					

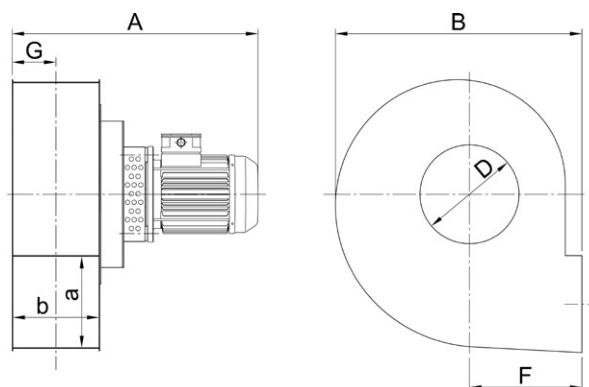
MOD.	FRAME	kW	RPM	dB	CAPACITY (m ³ /s)																	
					0.23	0.27	0.3	0.33	0.37	0.42	0.47	0.52	0.58	0.67	0.75	0.83	0.93	1.05	1.17	1.33	1.5	1.67
TOTAL PRESSURE (mmH ₂ O)																						
ECB 260 Z	80	0.55	1360	63		42	44	45	45	46	45	42	40									
ECB 280 Z	80	0.55	1360	64			45	46	47	48	46	45	42	40								
ECB 300 Z	80	0.55	1360	65				47	49	50	50	51	50	48	47							
ECB 330 Z	90S	1.1	1380	72						65	68	70	71	71	70	69	67	65				
ECB 380 Z	100L	2.2	1410	73										85	86	87	89	90	90	86	80	
ECB 400 Z	100L	3	1410	74												90	90	92	95	96	100	95

Flow level margin ±5%

Noise level margin +3...5 dB

Characteristics T =15°C and 760 mmHg.

Dimensions mm

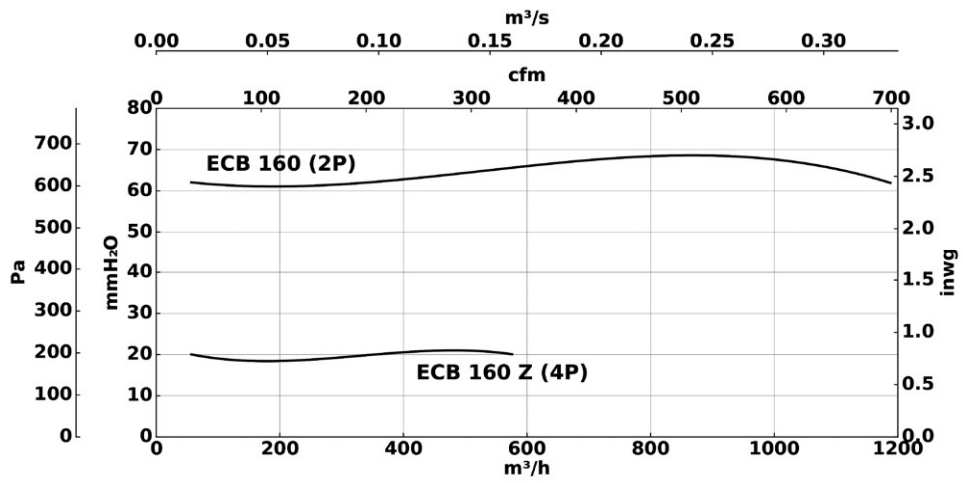


MOD.	FRAME	kW	RPM	A	B	F	G	D	a x b	kg
ECB 160 Z	71B/2	0.55	2810	411	290	138	57	127	103 x 110	15
ECB 160 Z	63B/4	0.18	1340	411	290	138	57	127	103 x 110	15
MOD.	FRAME	kW	RPM	A	B	F	G	D	a x b	kg
ECB 260 Z	80	0.55	1360	470	370	170	71	190	199 x 138	26
ECB 280 Z	80	0.55	1360	470	434	170	72	215	210 x 140	29
ECB 300 Z	80	0.55	1360	515	520	235	92	207	199 x 180	32
ECB 330 Z	90S	1.1	1380	530	490	210	92	237	261 x 180	36
ECB 380 Z	100L	2.2	1410	670	610	280	112	270	254 x 220	58
ECB 400 Z	100L	3	1410	700	670	300	112	300	280 x 240	73

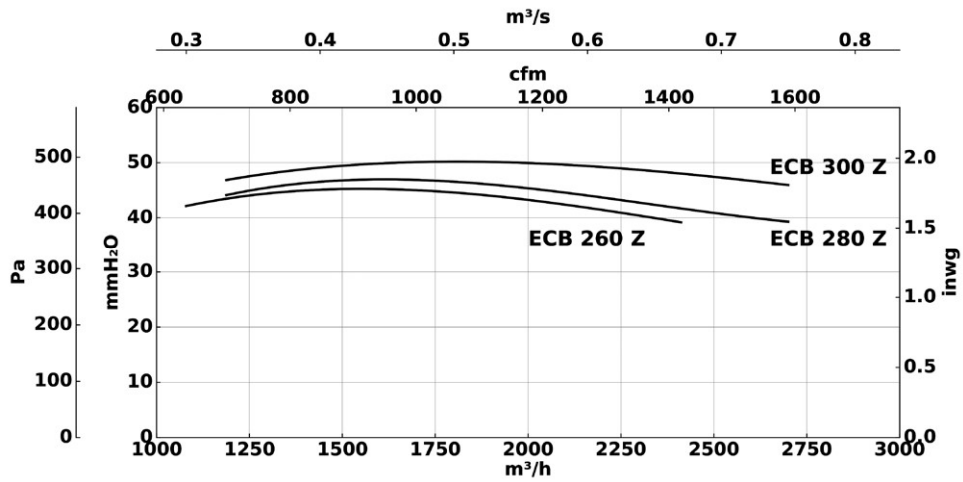


Characteristic curves

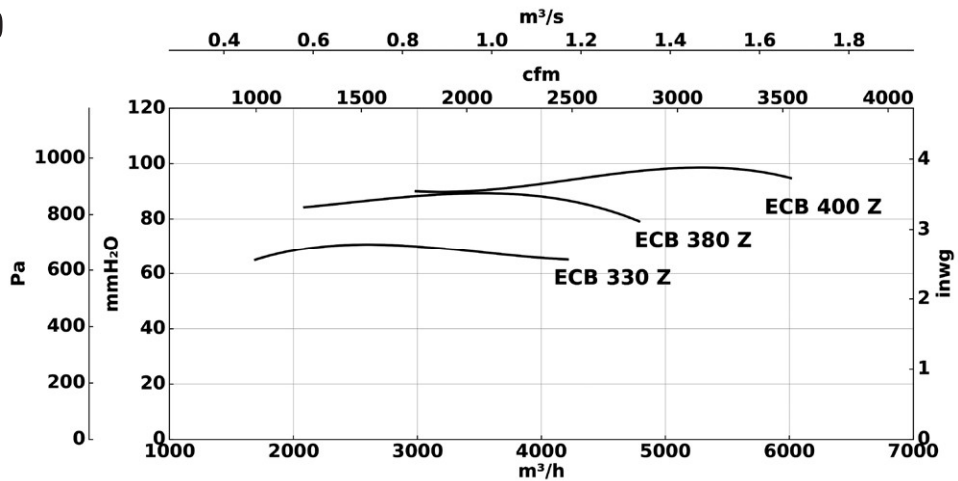
ECB/Z 160



ECB/Z 260...300



ECB/Z 330...400



Total pressure

Flow level margin ±5%
 Noise level margin +3...5 dB
 Margin of kW absorbed ±3%