

MVHPX

Cased axial fans with external motors



Belt-driven cased axial fans with casing aperture up to 180°.

Fan:

- Cased casing with rotating cap, in sheet steel
- Cast aluminium impellers
- Sealed transmission unit (IP66) with double retention system
- Airflow direction from motor to impeller
- Maximum temperature of air to be carried: -25°C +120°C

Motor:

- IE3 efficiency motors for powers equal to or higher than 0.75 kW except single-phase, 2-speed and 8-pole
- Class F motors with ball bearings and IP55 protection

- Single-phase 230 V-50 Hz and three-phase 230/400 V-50 Hz (up to 4 kW) and 400/690 V-50 Hz (powers higher than 4 kW)

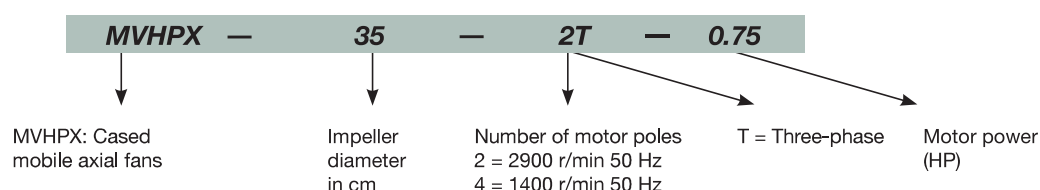
Finish:

- Anti-corrosive finish of polyester resin polymerised at 190°C, previously degreased with phosphate-free nanotechnological treatment

On request:

- Airflow direction from impeller to motor
- 100% reversible impellers
- Special windings for different voltages
- Category 2 ATEX certification (see MVHPX/ATEX series)

Order code



Technical characteristics

Model	Speed (r/min)	Maximum admissible current (A)			Installed power (kW)	Maximum flow rate (m ³ /h)	Sound pressure level dB(A)	Approx. weight (kg)
		230 V	400 V	690 V				
MVHPX-35-2T-0.75	2720	2.57	1.49		0.55	4750	77	22
MVHPX-35-4T-0.33	1420	1.66	0.96		0.25	2500	60	20
MVHPX-45-4T-0.33	1200	1.66	0.96		0.25	6300	69	32
MVHPX-45-4T-0.5	1420	2.02	1.17		0.37	6600	70	36
MVHPX-50-4T-0.75	1310	2.92	1.69		0.55	9000	70	33
MVHPX-50-4T-1 IE3	1500	2.82	1.62		0.75	10800	71	35
MVHPX-56-4T-0.75	1380	2.92	1.69		0.55	11300	72	36
MVHPX-56-4T-1 IE3	1420	2.82	1.62		0.75	12200	73	37
MVHPX-56-4T-1.5 IE3	1420	4.07	2.34		1.10	14500	75	43
MVHPX-63-4T-1.5 IE3	1300	4.07	2.34		1.10	16000	74	63
MVHPX-63-4T-2 IE3	1420	5.41	3.11		1.50	17500	78	71
MVHPX-71-4T-1.5 IE3	1200	4.07	2.34		1.10	20300	78	78
MVHPX-71-4T-2 IE3	1350	5.41	3.11		1.50	22500	79	85
MVHPX-71-4T-3 IE3	1450	7.93	4.56		2.20	24000	81	86
MVHPX-80-4T-4 IE3	1350	10.70	6.15		3.00	32000	84	105
MVHPX-80-4T-5.5 IE3	1450	13.90	8.00		4.00	40500	84	108
MVHPX-90-4T-5.5 IE3	1280	13.90	8.00		4.00	44000	89	120
MVHPX-90-4T-7.5 IE3	1400		10.30	5.97	5.50	51000	91	155
MVHPX-100-4T-10 IE3	1450		13.90	8.06	7.50	63000	93	175
MVHPX-100-4T-15 IE3	1450		20.90	12.10	11.00	68000	94	206



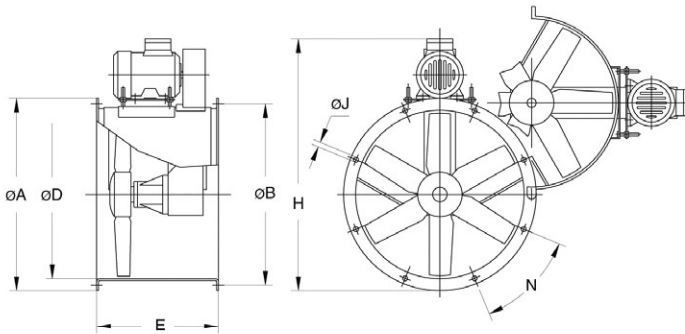
Acoustic characteristics

The indicated values are determined by measuring the pressure and sound power levels in dB(A) obtained in a free field at a distance equivalent to twice the size of the fan plus the impeller diameter, with a minimum of 1.5 m.

Sound power level Lw(A) in dB(A) frequency band in [Hz]

Model	63	125	250	500	1000	2000	4000	8000	Model	63	125	250	500	1000	2000	4000	8000
35-2-0.75	48	63	82	81	82	81	76	67	63-4-2	62	73	83	89	90	85	74	70
35-4-0.33	31	46	65	64	65	64	59	50	71-4-1.5	55	75	83	88	90	87	80	69
45-4-0.33	40	55	74	73	74	73	68	59	74-4-2	56	76	84	89	91	88	81	70
45-4-0.50	41	56	75	74	75	74	69	60	71-4-3	65	76	86	92	93	88	77	73
50-4-0.75	44	58	77	77	78	76	72	63	80-4-4	61	81	89	94	96	93	86	75
50-4-1	45	59	78	78	79	77	73	64	80-4-5.5	68	79	89	95	96	91	80	76
56-4-0.75	47	67	75	80	82	79	72	61	90-4-5.5	67	88	95	100	103	99	92	81
56-4-1	48	68	76	81	83	80	73	62	90-4-7.5	69	90	97	102	105	101	94	83
56-4-1.5	57	68	78	84	85	80	69	65	100-4-10	73	93	101	106	108	105	98	87
63-4-1.5	51	71	79	84	86	83	76	65	100-4-15	74	94	102	107	109	106	99	88

Dimensions mm



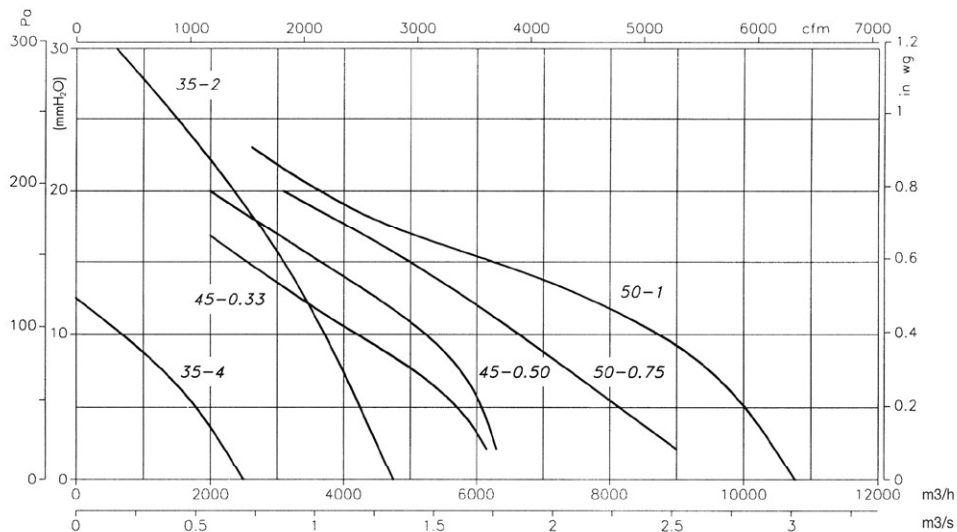
Model	ØA	ØB	ØD	E	H	ØJ	N
MVHPX-35-2T-0.75	425	395	355	380	606	10	8x45°
MVHPX-35-4T-0.33	425	395	355	380	609	10	8x45°
MVHPX-45-4T-0.33	540	500	460	420	740	12	8x45°
MVHPX-45-4T-0.50	540	500	460	420	728	12	8x45°
MVHPX-50-4T-0.75	600	560	512	420	803	12	12x30°
MVHPX-50-4T-1	600	560	512	420	803	12	12x30°
MVHPX-56-4T-0.75	660	620	560	450	848	12	12x30°
MVHPX-56-4T-1	660	620	560	450	848	12	12x30°
MVHPX-56-4T-1.5	660	620	560	450	870	12	12x30°
MVHPX-63-4T-1.5	730	690	640	500	950	12	12x30°
MVHPX-63-4T-2	730	690	640	500	950	12	12x30°
MVHPX-71-4T-1.5	810	770	710	550	1017	12	16x22°30'
MVHPX-71-4T-2	810	770	710	550	1017	12	16x22°30'
MVHPX-71-4T-3	810	770	710	550	1035	12	16x22°30'
MVHPX-80-4T-4	900	860	800	600	1173	12	16x22°30'
MVHPX-80-4T-5.5	900	860	800	600	1200	12	16x22°30'
MVHPX-90-4T-5.5	1015	970	900	650	1320	15	16x22°30'
MVHPX-90-4T-7.5	1015	970	900	650	1320	15	16x22°30'
MVHPX-100-4T-10	1115	1070	1000	750	1483	15	16x22°30'
MVHPX-100-4T-15	1115	1070	1000	750	1513	15	16x22°30'

Characteristic curves

Q = Flow rate in m³/h, m³/s and cfm.

Pe = Static pressure in mm H₂O, Pa and inwg.

MVHPX 35...50

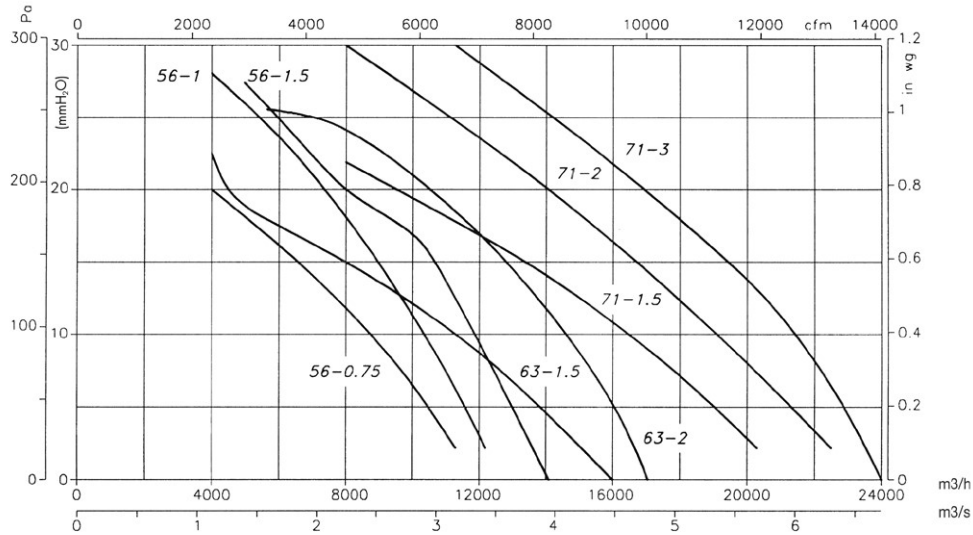


Characteristic curves

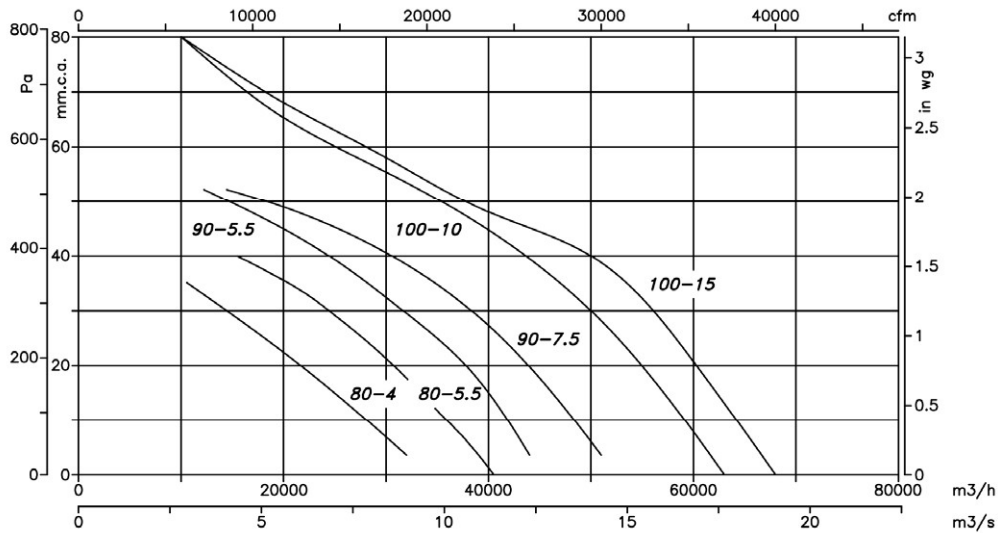
Q = Flow rate in m³/h, m³/s and cfm.

Pe = Static pressure in mm H₂O, Pa and inwg.

MVHPX 56...71



MVHPX 80...100



Accessories

See accessories section.

